



Shadowspec  
**RETREAT**<sup>TM</sup>  
*The Wall Mounted Umbrella*



Inspired, Effortless Shade



Fabric  
Warranty



Frame  
Warranty



Trusted for  
over 25 years



New Zealand  
Innovation



Eco-friendly  
Production

# SHADOWSPEC RETREAT™ Wall Mounted Umbrella

## Patented & Trademarked Technology



Frame  
Warranty

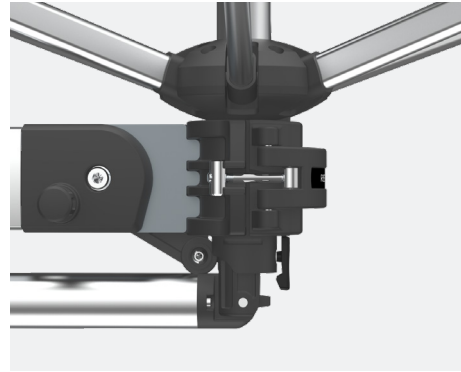
*Clever shade for compact spaces.*

The Shadowspec Retreat™ is built from sleek, modern materials. We've handpicked the world's best to ensure longevity. Anodised Aluminium and 316 Stainless Steel work in harmony with our in-house design philosophy.



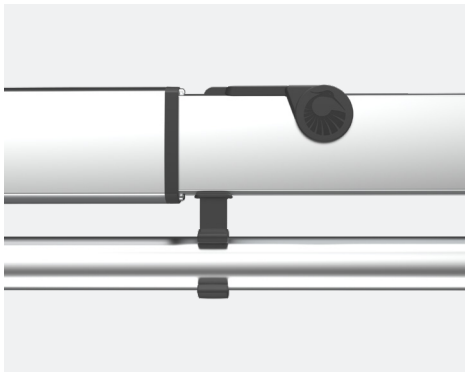
### SHADOWLIFT™

Gas-assisted, makes every deployment easy.



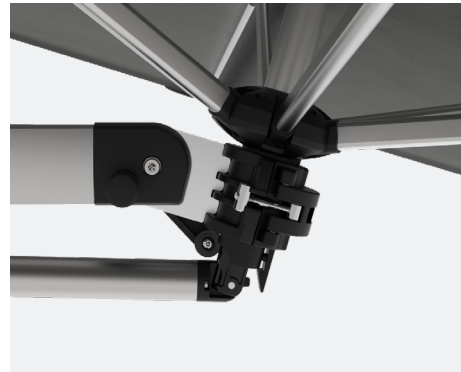
### SHADOWROLL™

Integrated roller allows smooth deployment.



### SHADOWREACH™

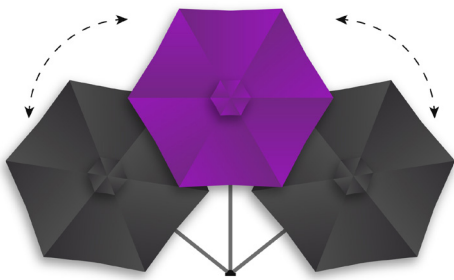
Extend for maximum shade reach.



### SHADOWTILT™

Protects from low-angled sun rays.

## Follow the sun



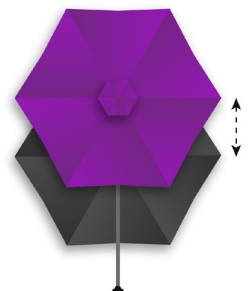
### ROTATES

Allows shade for the duration of the day.



### TILTS

Two tilt positions to protect when the sun is low.



### EXTENDS

Away from the wall.



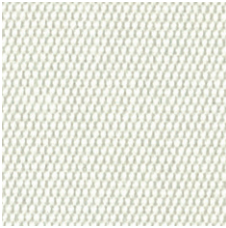
# Canopy

*Designer colours to enhance and inspire your space.*

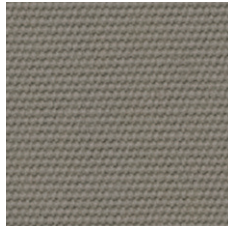
Solution-dyed, fade resistant and UPF 80 rated to provide UV protection year round, backed up by extensive warranties. Available in 5 classy colours: Oyster, Alpine Stone, Charcoal Tweed, Rust and Black & White Stripe.



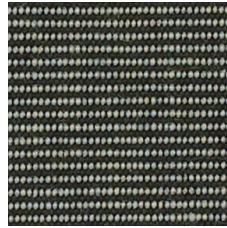
Fabric Warranty



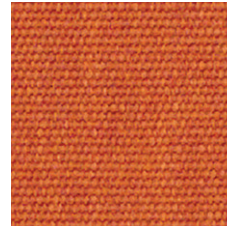
Oyster



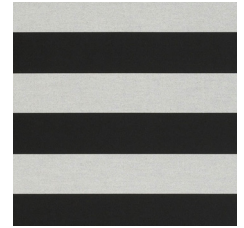
Alpine Stone



Charcoal Tweed



Rust



Black & White Stripe



Oil and Stain Repellent



Mould and Mildew Resistant



Easy Clean



Water Resistant



Chlorine Resistant



Tear Resistant



On-Trend Colours



Solution-dyed, High Colour Fastness



UV and Fade Resistant



UPF 80 UV Protection



Eco-friendly Production



Breathable Weave

# Shadowspec Retreat Dimensions

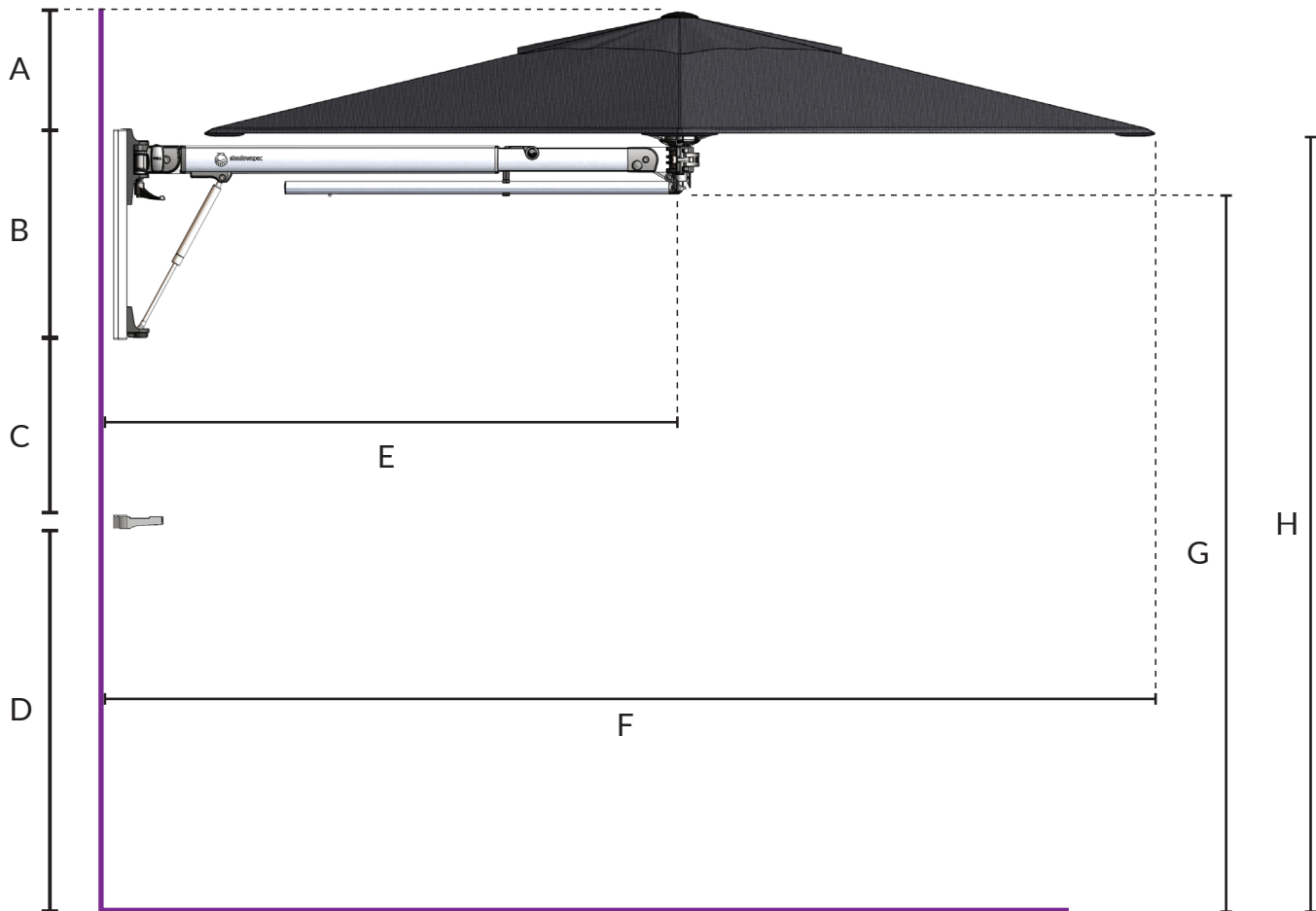


Diagram Legend	2.7m	Full Extension	9'	Full Extension
A Canopy height when deployed	295mm		1'	
B Wall Bracket length	526mm		1'9"	
C Space from Wall Bracket to Wall Clip	441mm		1'4"	
D Gap from Wall Clip to ground (recommended distance)	1209mm		4'	
E Wall to centre hub distance (456mm/18" Shadowreach adjustment)	1419mm	1875mm	4'8"	6'2"
F Wall to outer canopy edge (456mm/18" Shadowreach adjustment)	2609mm	3065mm	8'7"	10'0"
G Ground to Central Hub (recommended distance)	2014mm		6'7"	
H Ground to Canopy Edge (recommended distance)	2166mm		7'1"	

Note: All sizings and conversions are +/- 2.5mm / 1/16" and are subject to change without notice. We recommend commercial installations use metric measurement for any umbrella spacing to ensure accuracy. The above dimensions make the assumption that you have installed your umbrella at the recommended installation height on your wall. If you have installed your retreat lower or higher than recommended, you will need to add that difference to the above measurements.